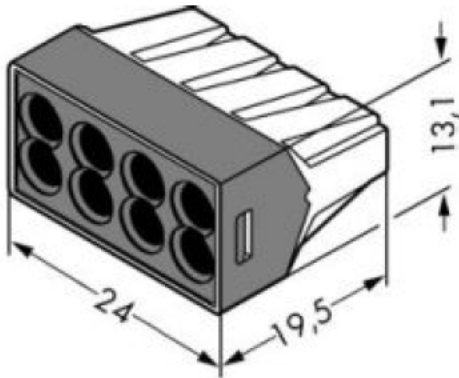


Item no.: 773-168
 Product description: PUSH-WIRE CONNECTOR FOR JUNCTION BOXES
 8-CONDUCTOR TERMINAL BLOCK Cover, dark gray



Packing unit 50 pieces

Product group	7 (Push Wire Conn.)
pole count	8
Cross section [mm ²]	0.75 - 2.5 mm ²
Cross section [AWG]	18 - 12 AWG
Wiring method	e
Connection method	PUSH WIRE®
Cross section [mm ²]	1.5 - 2.5 mm ²
Cross section [AWG]	16 - 12 AWG
Wiring method	st
Connection method	PUSH WIRE®
Measured voltage EN	400 V
Measured shock voltage	4 kV
Pollution degree	2
Current intensity EN	24 A
Weight	5 g
Color	dark gray
No. of connection Points	8
No. of potentials	1
Height	13.1 mm
Height	0.516 in
Width	24 mm
Width	0.945 in

Depth	19.5 mm
Depth	0.768 in
Strip length from	12 mm
Strip length to	12 mm
Strip length	0.47 in

© WAGO Kontakttechnik GmbH & Co. KG

Specifications are subject to changes and errors may be expected